



Diplomat-DD402124K1R-039824- No
(Family) (Model) (Part #) (In Stock)

Electrical Specifications

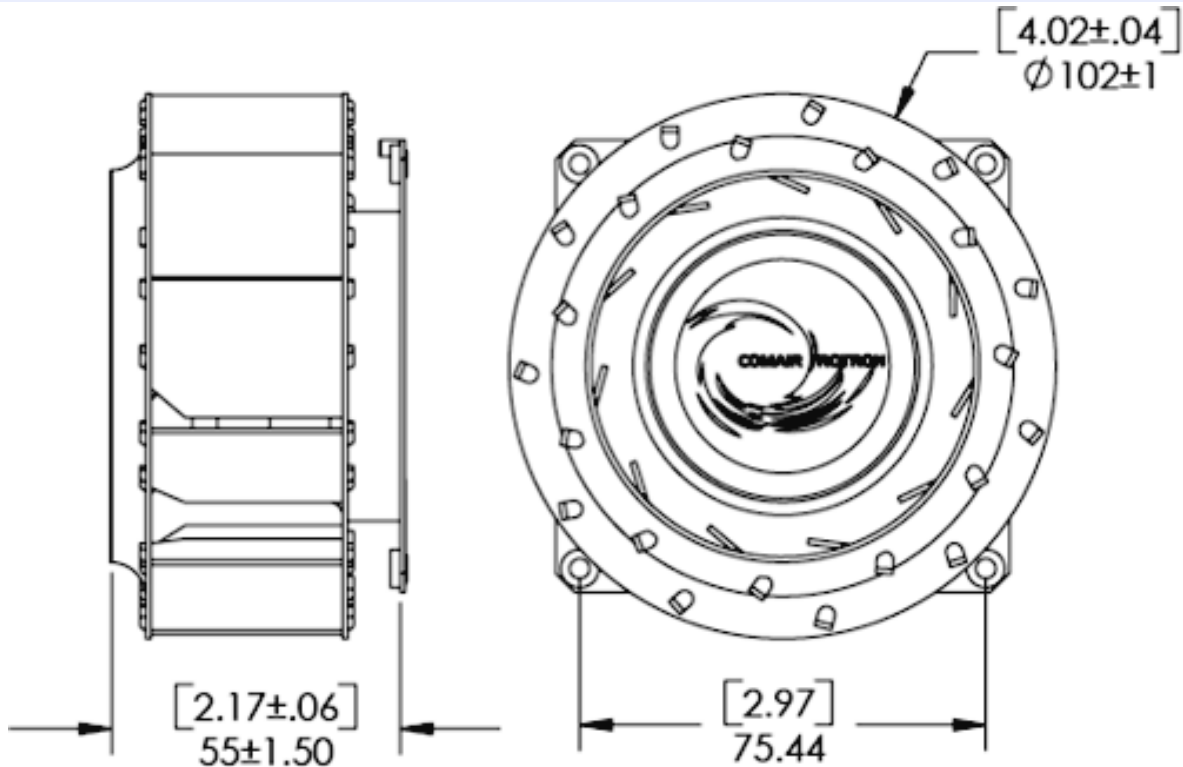
Operating Voltage:	24 Volts
Voltage Range:	12 - 32 Volts
Power Supply:	32.0 Watts
Line Current:	1.33 Amps
Locked Rotor Current	2.30 Amps
Nominal Speed:	5865 RPM

Mechanical Specifications

Dimensions:	4.0 x 4.0 x 2.2 in
Weight	12.7 oz
Max Airflow @ 0 in H ₂ O	115.0 CFM
Max Pressure @ 0 CFM	2.210 in H ₂ O
Noise	68.0 dBA



Mechanical Drawing





Impeller Performance Curve

Impeller Configuration Options

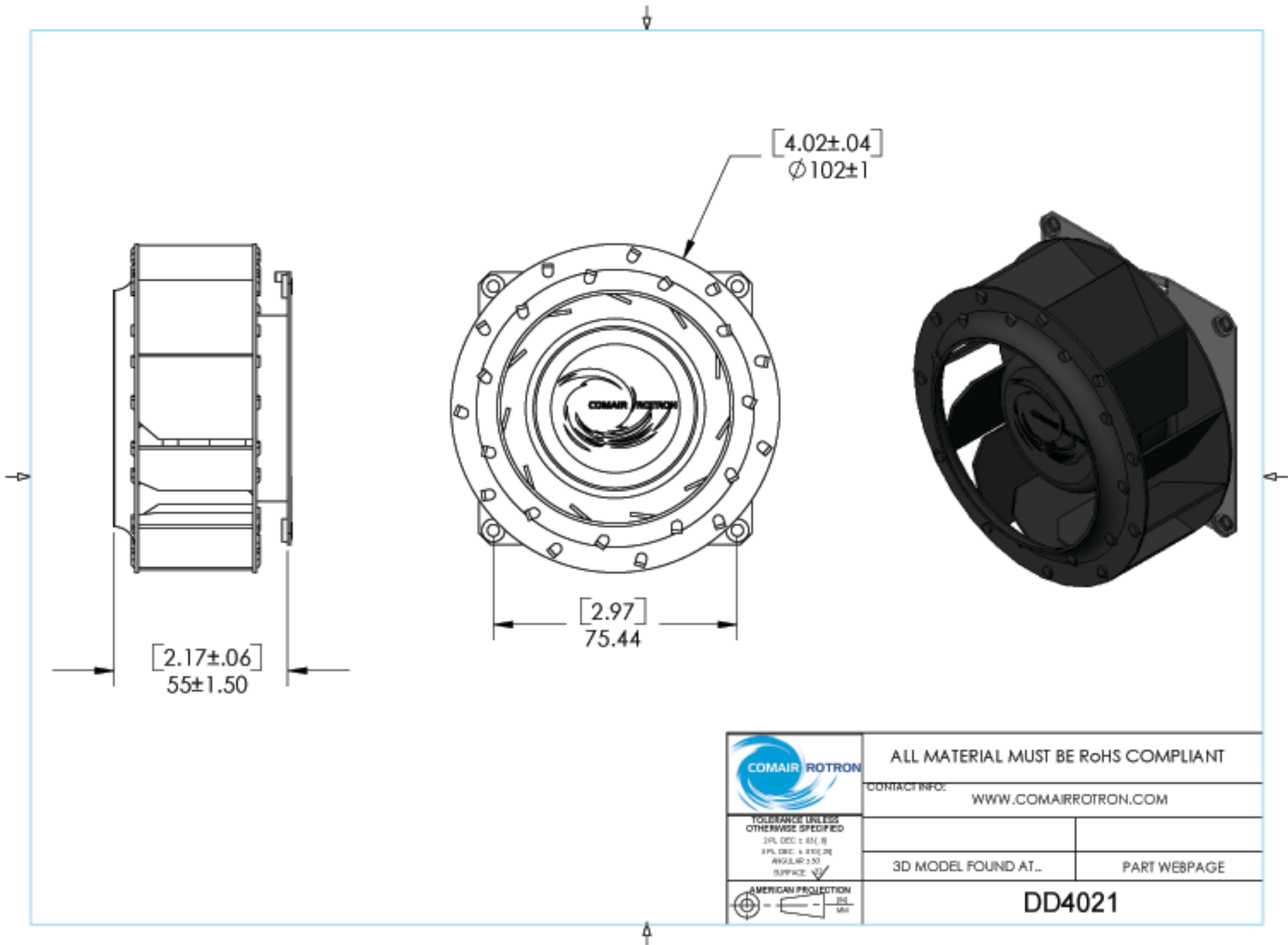
Diplomat (Family)	DD402124K1R (Model)	/ 039824 (Part #)	No (In Stock)	305 mm [12 inch] Leads (Features)
-----------------------------	-------------------------------	-----------------------------	-------------------------	---



Impeller Speed:	5865 RPM	Impeller Bearings:	Ball Bearings
Impeller Airflow Direction:	Centrifugal (CW Rotation)	Impeller Termination:	Leads

Impeller Monitoring Options:	TTL (+5V) Tachometer Output (1 Pulse/Rev)
-------------------------------------	--

Impeller Speed Control Option:	No Speed Control Options Selected
---------------------------------------	--

Environmental Protection Options:	No Enviroshield Options Selected
--	---



	ALL MATERIAL MUST BE RoHS COMPLIANT	
	CONTACT INFO: WWW.COMAIRROTRON.COM	
TOLERANCES UNLESS OTHERWISE SPECIFIED 2PL DEC: ± .05 (R) 3PL DEC: ± .002 (R) ANGULAR: ± .30 SURFACE: ✓	3D MODEL FOUND AT...	PART WEBPAGE
	DD4021	